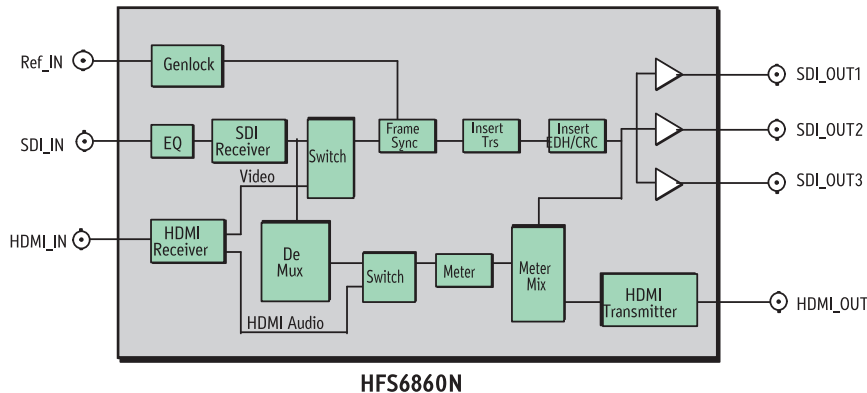


HFS6860N/HFS6860N-3G

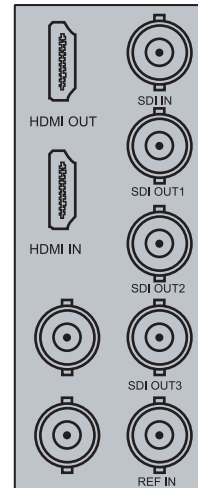
3G/HD-SDI Frame Sync Module

The HFS6860N/HFS6860N-3G is an HD-SDI frame synchronizer module; it can work in both synchronization and delay mode, and supports EDH/CRC functions.

It has built-in video test signal generator (color bar and black field). It supports video loss detection. It also supports one channel HDMI video output.



HFS6860N



HFS6860N

Features

- 10 bits and 20bits serial 4:2:2 video frame synchronous processing
- Forced black field output and forced freeze frame output
- Delay and synchronization (analog black field and tri-level) mode
- EDH/CRC tracking and re-insertion
- Adjustable horizontal and vertical phase
- Support 8ch embedded audio monitoring
- Detection of input video loss
- Build-in test signal generator (color bar and black field)
- Build-in audio test signal
- Network control

Specifications

SDI Video Input

Standard: SMPTE424M 3G-SDI, SMPTE292M HD-SDI, SMPTE259M SD-SDI
Impedance: 75Ω

Return Loss: >15dB, 5MHz to 3GHz;

Connector: BNC (IEC169-8)

Cable Equalization:

SD-SDI: 0-300m Belden 1694A

HD-SDI: 0-100m Belden 1694A

3G-SDI: 0-120m Belden 1694A

Format: 480i, 576i, 1080i59, 1080i50, 1080Psf24, 1080p59, 1080950, 1080p29, 1080p25, 720p59, 720p50

Analog Reference Input

Signal Format: composite sync signal or tri-level sync signal

Impedance: 75Ω

Input Level: 1V pk-pk+6dB/-3.5dB

Return Loss: >40dB to 10MHz

Connector: BNC (IEC169-8)

HDMI Input

Signal Format: 1080i60, 1080i50, 1080p60, 1080p50, 1080p30, 1080p25, 720p60, 720p50

Standard: HDMI1.3 (CEA-861-B) 2.25Gbps

Connector: HDMI

Cable Equalization: 0-30m

SDI Video Output

Standard: SMPTE424M 3G-SDI, SMPTE292M HD-SDI, SMPTE259M SD-SDI

Connector: BNC (IEC169-8)

Impedance: 75Ω

Return Loss: >15dB 5MHz to 3GHz

Rise and Fall Time: <135ps:3G,<270ps:HD-SDI,0.4to1.5ns:SD-SDI

Format: 480i, 576i, 1080i60, 1080i50, 1080Psf24, 1080p60, 1080p50, 1080p30, 1080p25, 720p60, 720p50

Output Level: 800 mV ± 10%

DC Offset: 0V ± 0.5 V

Overshoot: <10% of amplitude

Jitter: 3Gb/s<: 0.3 UI, HD/SD: <0.2 UI

*Specifications are subject to change without notice.

Ordering Information

HFS6860N

HD-SDI Synchronization module

HFS6860N-3G

3G/HD/SD-SDI Synchronization module